

D 1000 APG



www.ausa.com

AUSA Center, S.L. ● Ctra. de Vic, Km 2.8 - P.O.B. 194. 08243 Manresa - BARCELONA (ESPAÑA) Tel.: +34 93 874 73 11 - E-mail: ausa@ausa.com



AUSA Madrid ● Pol. Ind. Coslada - C. Marconi 15-17. 28823 Coslada - MADRID (ESPAÑA) Tel.: +34 91 669 00 06 - E-mail: ausa.madrid@ausa.com
AUSA France ● Z. I. Saint Charles - Rue de Zürich, 66000 PERPIGNAN (FRANCE) Tel.: +33 (0) 4 68 54 38 97 - E-mail: ausa.france@ausa.com
AUSA Deutschland ● Heinrich - Welken Str. 5. 59069 HAMM (GERMANY) Tel.: +49 (0) 2384-9889905 - E-mail: ausa.deutschland@ausa.com
BEIJING Rep. Office ● Address Room 527. HengXiang Building, Tuanjihu Nanli, Chaoyang District. - BEIJING 100026 (CHINA)
 Tel.: 86-10-8597 1983 - Fax: 86-10-8597 1993 - E-mail: ausa.china@ausa.com

AUSA UK ● Tel.: 07970639988 - E-mail: ausa.uk@ausa.com

AUSA Brasil ● Tel.: +55 51 32622111 - E-mail: ausa.brasil@ausa.com

(Sede central AUSA-Manresa)



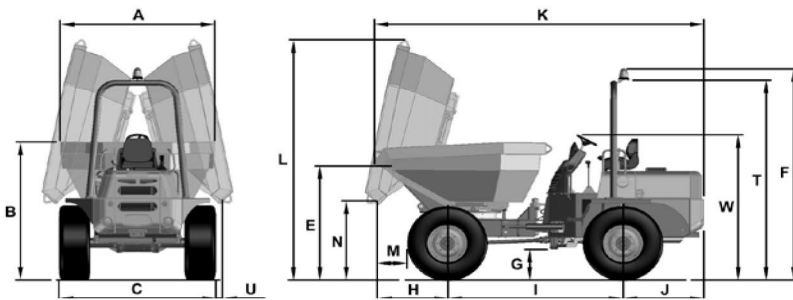
D 1000 APG_10000 Kg



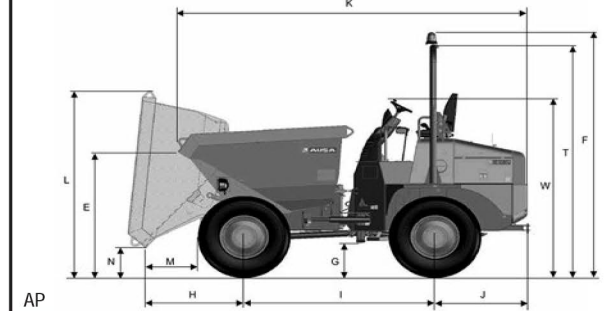
www.ausa.com

| DIMENSIONS (mm) | | D 1000 APG |
|-----------------|--|-----------------|
| A | | 2480 |
| B | | 2385 |
| C | | 2440 |
| E | | 1950 |
| F | | 3560 |
| G | | 490 |
| H | | 980 |
| I | | 2450 |
| J | | 1220 |
| K | | 4740 |
| L | | 3820 |
| M | | 380 |
| N | | 1100 |
| T | | 3375 / 3220 (*) |
| U | | 110 |
| W | | 2550 |

(*) Closed cabin



APG



AP

TECHNICAL SPECIFICATIONS

| | | D 1000 APG |
|-------------------------------------|-----------------|---|
| Load capacity (Kg) | | 10000 |
| Unloading system | | Hydraulic, 180° side rotating |
| Chassis | | Articulated and oscillating |
| Hopper capacities | Water | 1950 |
| | Levelled | 3140 |
| | Heaped | 4790 |
| Engine | Diesel | KUBOTA V3800-CR-TIE4 with Diesel Particulate Filter and Diesel Oxidation Catalyst (DPF and DOC) |
| Stage IIIB / Tier 4 Int. | Power (KW/HP) | 85 / 114 |
| | N° of Cylinders | 4 |
| | Cooling system | Water |
| Engine | Diesel | KUBOTA V3800T |
| Stage III B / Tier 4 | Power (KW/HP) | 72.8 / 99 |
| | N° of Cylinders | 4 |
| | Cooling system | Water |
| Engine | Diesel | KUBOTA V3800T |
| Non-EU EMISSION | Power (KW/HP) | 72.8 / 99 |
| Stage IIIA / Tier 3 | N° of Cylinders | 4 |
| | Cooling system | Water |
| Traction | | 4 x 4 permanent |
| Transmission | | Torque converter with synchronized gear box. 4 ratios forwards and 4 ratios backwards by means of an electro-hydraulic device. Axles with planetary reduction on differential output |
| Engine starting system | | Electric |
| Speed (max.) (km/h) | | 38 |
| Unladen weight (Kg) | | 4990 |
| Gradeability | | 60% |
| Hydraulic circuit | | Gear pump of 25 cc. Working pressure 180 bar |
| Tyres | Front | 500/60-22,5" (16PR") |
| | Rear | 500/60-22,5" (16PR") |
| External turning radius (mm) | | 5950 |
| Steering | | Hydraulic. Working pressure 115 bar |
| Tank capacity (l) | Carburant (l) | 70 |
| | Hydraulique | 65 |
| Service brake | | Oil-immersed, multidisc, hydraulically operated |
| Parking brake | | Oil-immersed, multidisc, mechanically operated |
| STANDARD EQUIPMENT | | Ergonomic seat with safety belt Anti vandal system Audible reverse warning Rotating beacon Foldable ROPS arch |
| OPTIONAL EQUIPMENT | | Closed cabin with heating Air conditioning Homologated lighting equipment Towing hitch Stop emergency Full visibility System with front and rear camera and 7" TFT water-proof color display Limited slip differential with negative parking brake Homologated ROPS/FOPS driver protective roof (with and without sun protector) |